



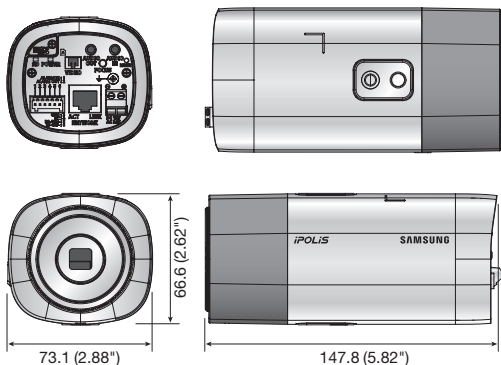
* Lens not included

Key Features

- Max. 2M (1920 x 1080) resolution
- 0.015Lux@F1.2 (Color), 0.0015Lux@F1.2 (B/W)
- 1/1.9" 2.42M CMOS
- H.264, MJPEG dual codec, Multiple streaming
- WDR (120dB), Simple focus, P-Iris, Defog
- Audio / Face / Motion detection
- SD/SDHC/SDXC memory slot, Multi-crop streaming
- PoE, UPnP, Bi-directional audio support

Dimensions

Unit : mm (inch)



Available Lenses / Accessories (Optional)



		SNB-6005N/P
VIDEO		
Imaging Device	1/1.9" 2.42M CMOS	
Total Pixels	1,952(H) x 1,241(V) approx 2.42M pixels	
Effective Pixels	1,937(H) x 1,097(V) approx 2.12M pixels	
Scanning System	Progressive	
Min. Illumination	Color : 0.03Lux (1/30sec, F1.2, 50IRE), 0.015Lux (1/30sec, F1.2, 30IRE) B/W : 0.003Lux (1/30sec, F1.2, 50IRE), 0.0015Lux (1/30sec, F1.2, 30IRE)	
S / N Ratio	50dB	
Video Output	CVBS : 1.0Vpp / 75Ω composite, 720 x 480(N), 720 x 576(P), for installation DIP connector type	
LENS		
Focus Control	Simple focus (Motorized V/F) / Manual, Remote control via network, Button control (Manual, Simple focus)	
Lens Type	DC auto iris, P-Iris	
Mount Type	C / CS	
OPERATIONAL		
Camera Title	Off / On (Displayed up to 45 characters)	
Day & Night	Auto (ICR) / Color / B/W / External / Schedule	
Backlight Compensation	Off / BLC / WDR	
Wide Dynamic Range	120dB	
Contrast Enhancement	SSDR (Samsung Super Dynamic Range) (Off / On)	
Digital Noise Reduction	SSNR III (2D+3D noise filter) (Off / On)	
Digital Image Stabilization	Off / On	
Defog	Off / Auto / Manual	
Motion Detection	Off / On (4 zones with 4 points polygonal)	
Privacy Masking	Off / On (32 zones with 4 points of polygonal)	
Gain Control	Off / Low / Medium / High / Manual	
White Balance	ATW / AWC / Manual / Indoor / Outdoor	
Electronic Shutter Speed	Minimum / Maximum / Anti flicker (2 ~ 1/12,000sec)	
Flip / Mirror	Off / On	
Intelligent Video Analytics	Tampering, Virtual line, Enter / Exit, (Dis)Appear, Audio detection, Face detection - Support Metadata	
Alarm I/O	Input 1ea / Output 1ea	
Remote Control Interface	RS-485	
RS-485 Protocol	Samsung-T/E, Pelco-P/D, SunGin, Panasonic, Honeywell, AD, Vicon, GE, Bosch	
Alarm Triggers	Motion detection, Tampering detection, Audio detection, Face detection, Network disconnection, Video analytics, Alarm input	
Alarm Events	File upload via FTP and E-mail, Notification via E-mail, Local storage (SD/SDHC) or NAS recording at event triggers, External output	
NETWORK		
Ethernet	RJ-45 (10/100BASE-T)	
Video Compression Format	H.264 (MPEG-4 part 10/AVC) : Main / Baseline / High , MJPEG	
Resolution	1920 x 1080, 1280 x 1024, 1280 x 960, 1280 x 720, 1024 x 768, 800 x 600, 720 x 576, 800 x 450, 640 x 480, 640 x 360, 320 x 240, 320 x 180	
Max. Framerate	H.264 : Max. 60fps@the other resolutions MJPEG : Max. 15fps@1920 x 1080, 1280 x 1024, 1280 x 960, 1280 x 720, 1024 x 768 Max. 30fps@800 x 600, 800 x 450, 640 x 480, 640 x 360, 320 x 240, 320 x 180	
Smart Codec	Manual mode (Area-based : 5ea), Face detection mode	
Video Quality Adjustment	H.264 : Compression level, Target bitrate level control, MJPEG : Quality level control	
Bitrate Control Method	H.264 : CBR or VBR, MJPEG : VBR	
Streaming Capability	Multiple streaming (Up to 10 profiles)	
Audio In	Selectable (Mic in / Line in), Supply voltage : 2.5V DC (4mA), Input impedance : approx. 2K Ohm	
Audio Out	Line out (3.5mm stereo mini jack), Max output level : 1 Vrms	
Audio Compression Format	G.711 u-law/G.726 selectable, G.726 (ADPCM) 8KHz, G.711 8KHz G.726 : 16Kbps, 24Kbps, 32Kbps, 40Kbps	
Audio Communication	Bi-directional audio (2-way)	
IP	IPv4, IPv6	
Protocol	TCP/IP, UDP/IP, RTP(UDP), RTP(TCP), RTCP,RTSP, NTP, HTTP, HTTPS, SSL, DHCP, PPPoE, FTP, SMTP, ICMP, IGMP, SNMPv1/v2c/v3(MIB-2), ARP, DNS, DDNS, QoS, PIM-SM, UPnP, Bonjour HTTPS(SSL) login authentication, Digest login authentication	
Security	IP address filtering, User access log, 802.1x authentication	
Streaming Method	Unicast / Multicast	
Max. User Access	15 users at unicast mode	
Edge Storage	SD/SDHC/SDXC - Motion Images recorded in the SD/SDHC/SDXC memory card can be downloaded. NAS (Network Attached Storage)	
Application Programming Interface	ONVIF profile S, SUNAPI (HTTP API), SVNP, Samsung camera application platform English, French, German, Spanish, Italian, Chinese, Korean, Russian, Japanese, Swedish, Danish, Portuguese, Turkish, Polish, Czech, Rumanian, Serbian, Dutch, Croatian, Hungarian, Greek	
Webpage Language	Supported OS : Windows XP / VISTA / 7 / 8 / 8.1 or higher, MAC OS X 10.7	
Web Viewer	Supported Browser : Microsoft Internet Explorer (Ver. 8 ~ 11) Mozilla Firefox (Ver. 9 ~ 19), Google Chrome (Ver. 15 ~ 25) Apple Safari (Ver. 6.0.2(Mac OS X 10.8, 10.7 only), 5.1.7) * Mac OS X only	
Central Management Software	SmartViewer, SSM	
ENVIRONMENTAL		
Operating Temperature / Humidity	-30°C ~ +55°C (-22°F ~ +131°F) / Less than 90% RH * Start up should be done at above -10°C (+14°F)	
Storage Temperature / Humidity	-30°C ~ +60°C (-22°F ~ +140°F) / Less than 90% RH	
ELECTRICAL		
Input Voltage / Current	24V AC, 12V DC, PoE (IEEE802.3af, Class3)	
Power Consumption	Max. 11.44W (24V AC, 50/60Hz), Max. 10.1W (12V DC), Max. 11.1W (PoE, Class3)	
MECHANICAL		
Color / Material	Black, Ivory / Aluminium, Plastic	
Dimensions (WxHxD)	73.1 x 66.6 x 147.8mm (2.88" x 2.62" x 5.82")	
Weight	430g (0.95 lb)	