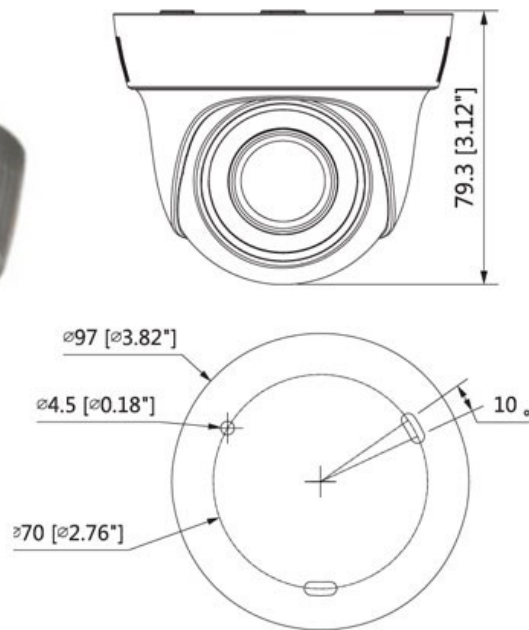


CP- USC-DA50L2-DS**5MP Full HD WDR IR Cosmic Dome Camera - 20Mtr.****COSMIC**
HD CAMERA**Main Features**

- 1/2.7" 5MP CMOS Image Sensor
- Max. 20fps@5MP
- WDR(100dB), Day/Night (ICR), 2D-DNR, AWB, AGC, BLC,HLC
- 3.6mm fixed lens (2.8mm, 6mm optional)
- Max. IR length 20m, Smart IR
- Starlight Technology
- OSD Menu, control over coaxial cable, 2D-DNR
- HD and SD output switchable



CP- USC-DA50L2-DS

5MP Full HD WDR IR Cosmic Dome Camera - 20Mtr.

COSMIC
HD CAMERA

Feature

Image Sensor
Minimum Illumination
Effective Pixels
Shutter Speed
White Balance
Gain Control (AGC)
Lens
Back Light Compensation
S/N Ratio
Angle of View
Video Streaming
Video Output
Resolution
ICR
OSD
IR
Operating Temperature
Power Source
Power Consumption
Weatherproof Standard
Casing
Dimension
Weight

Specification

1/2.7" CMOS
0.02Lux/F1.85, 30IRE, 0Lux IR on
2592(H) x 1944(V), 5MP
PAL: 1/25~1/100000s NTSC: 1/30~1/100000s
Auto / Manual
Auto / Manual
3.6mm (2.8mm, 6mm Optional)
BLC / HLC / WDR(100dB)
More than 65dB
H: 77.5° (93°/49°)
20fps@5MP, 25/30fps@4MP, 25/30fps@1080P
1-channel BNC high definition video output / CVBS video output (Can switch)
5MP (2592x1944)
Auto (ICR) / Manual
Multi-language
IR Range of 20 Mtr.
-40°C~+60°C / Less than 95%RH
12V DC ±30%
Max. 3.6W (12V DC, IR on)
IP67
Plastic
Φ97mm×79.3mm(Φ3.8"×3.1")
0.19kg